

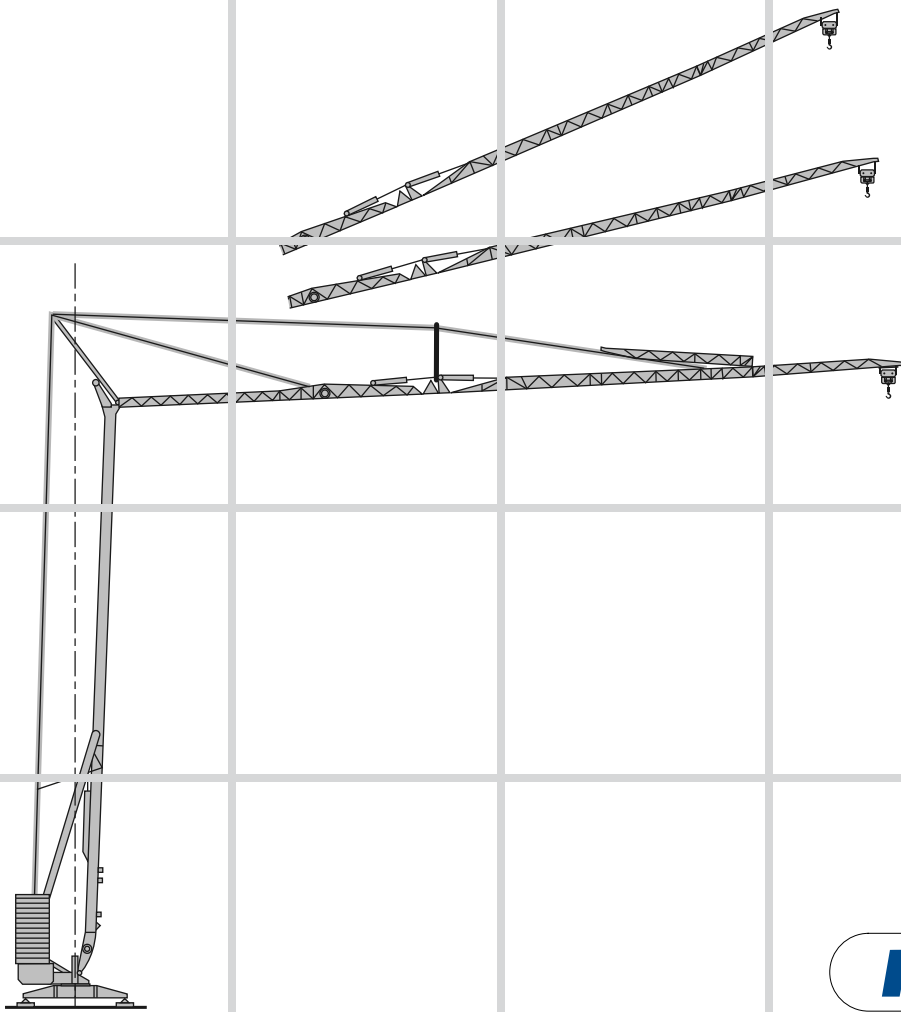


LADYBIRD CRANE HIRE

HD 40

SUPPLIERS OF PEDESTRIAN OPERATED SELF-ERECTING TOWER & CITY CRANES

Crane Specifications



POTAIN 

LADYBIRD CRANE HIRE

LADYBIRD BARN,
OLD BURCOT LANE,
BROMSGROVE,
WORCESTERSHIRE
B60 1PH

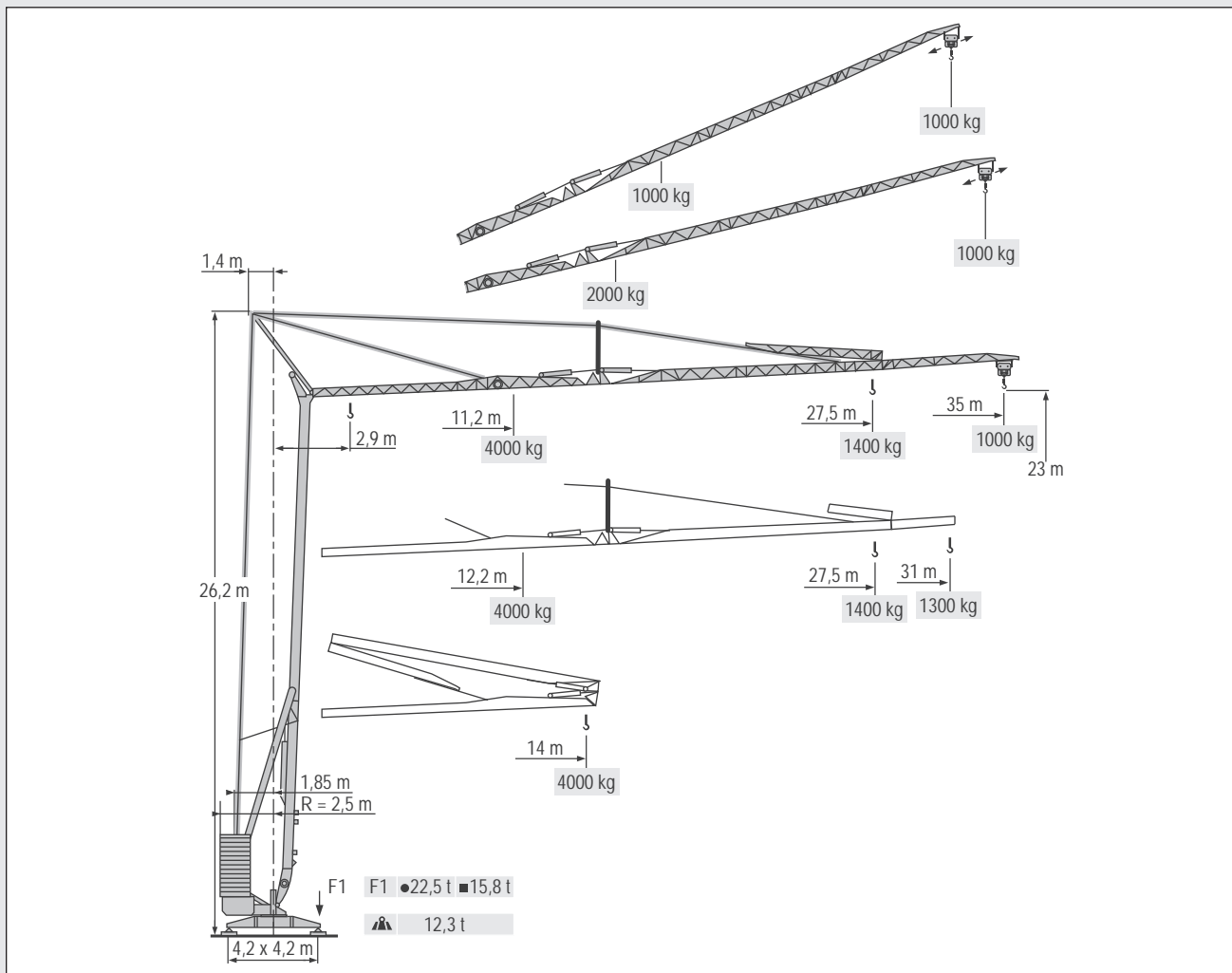
t: 01527 889 889

f: 01527 889 879

e: info@ladybirdcranehire.co.uk

w: www.ladybirdcranehire.co.uk

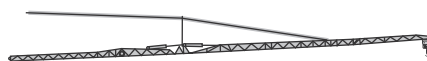
35m Self-Erecting Crane



Load Diagrams



35 m	2.9 m	14 m	4000 kg
------	-------	------	---------



11.2	12	13	14	15	16	17	18	19	20	22	24	26	28	29	31	33	35 m
4000	3695	3350	3060	2810	2600	2415	2255	2115	1985	1770	1595	1445	1320	1265	1165	1080	1000 kg

12.2	13	14	15	16	17	18	19	20	22	24	26	28	29	31 m
4000	3700	3380	3110	2880	2680	2500	2345	2205	1965	1770	1610	1470	1410	1300 kg



35/31 m	2.9 m	14 m	4000 kg
---------	-------	------	---------

11.6	12	13	14	15	16	17	18	19	20	22	24	26	27.5 m
4000	3820	3460	3165	2910	2690	2500	2335	2190	2060	1835	1650	1500	1400 kg



Specifications and data not binding. Subject to modification without notice



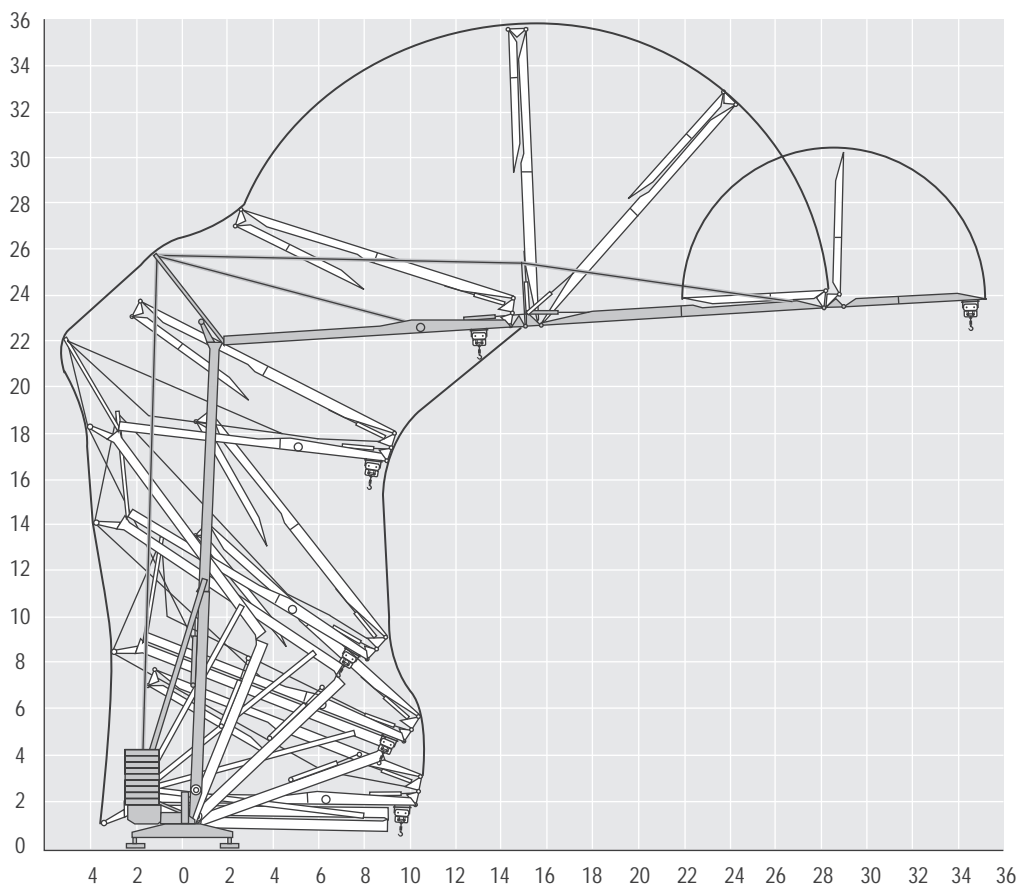
Mechanisms



Hoisting
Trolleying
Slewing

		Trolleying				Slewing				ch - PS hp	kW	
Hoisting	15 LVF 10	m/min	5	27	43	53	2,5	13,5	21,5	26,5	15	11
		kg	2000	2000	1250	1000	4000	4000	2500	2000		
Hoisting	15 RPC 10	m/min	9	27	54	54	4,5	13,5	27	27	15	11
		kg	2000	2000	1000	1000	4000	4000	2000	2000		
Trolleying	3 D2 V5	m/min	21 - 42							2,7	2	
Slewing	RVF 2 30	tr/min U/min rpm	0 → 0,2 → 0,8							3	2,2	
CEI 38		IEC 38	kVA				2000/14					
400 V(+6% -10%) 50 Hz			15 LVF 10 : 20 kVA 15 RPC 10 : 20 kVA									

Erection



Specifications and data not binding. Subject to modification without notice