

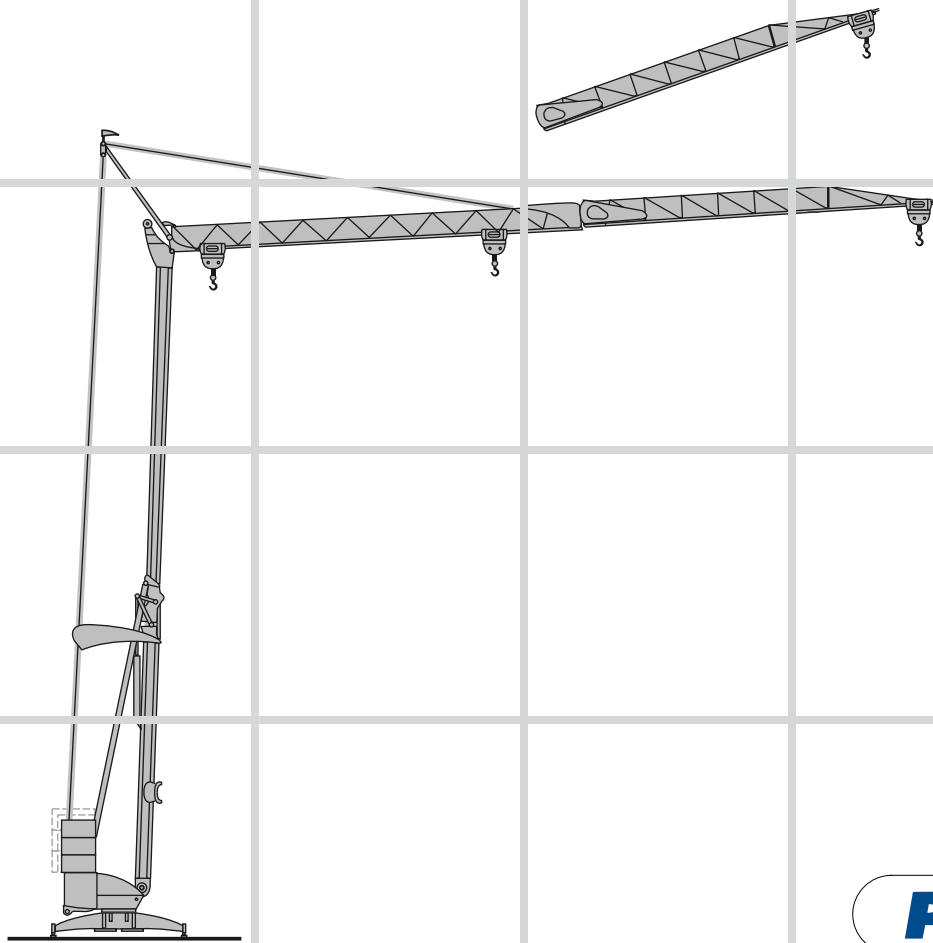


LADYBIRD CRANE HIRE

IGO 18

SUPPLIERS OF PEDESTRIAN OPERATED SELF-ERECTING TOWER & CITY CRANES

Crane Specifications



POTAIN 

LADYBIRD CRANE HIRE

LADYBIRD BARN,
OLD BURCOT LANE,
BROMSGROVE,
WORCESTERSHIRE
B60 1PH

t: 01527 889 889

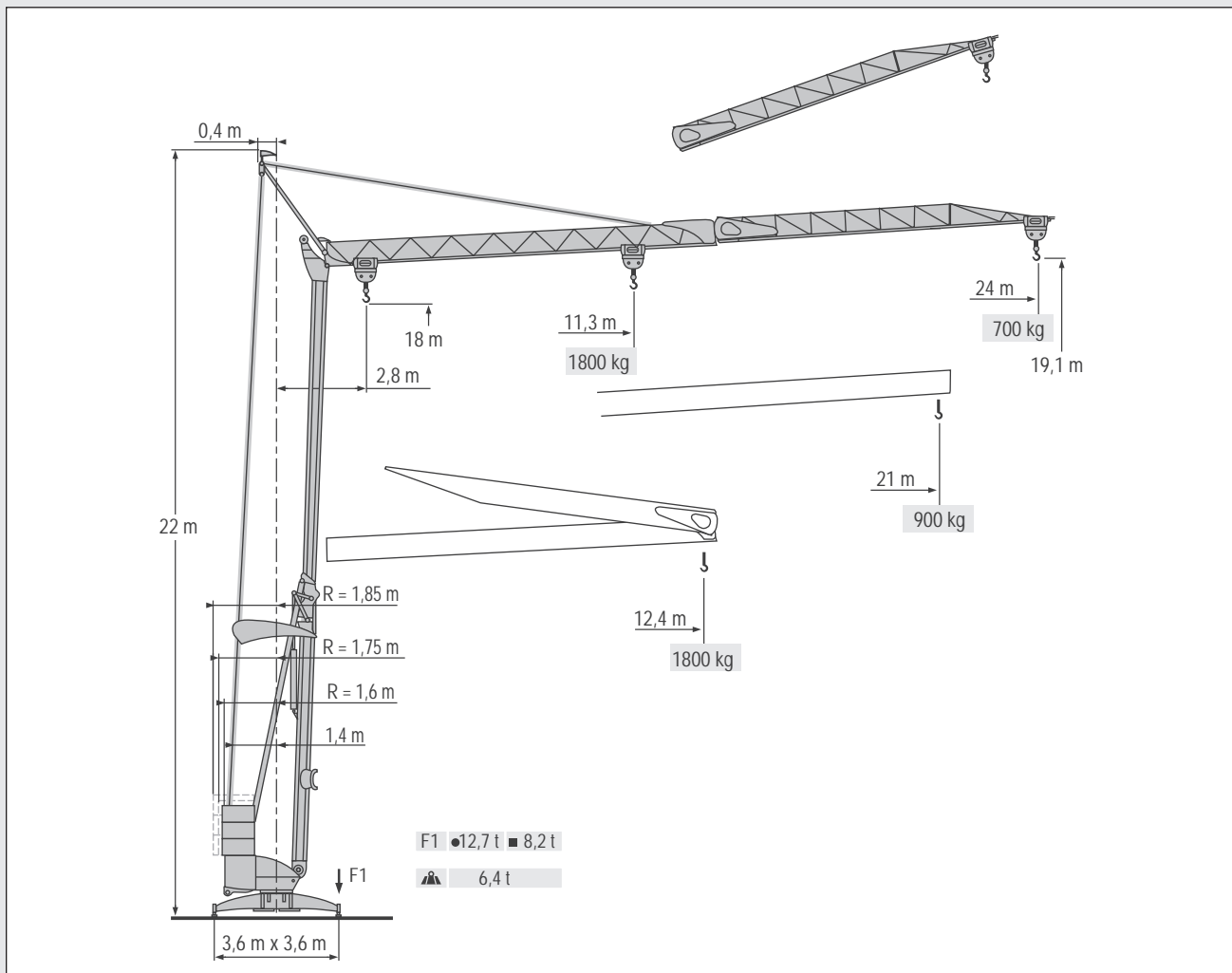
f: 01527 889 879

e: info@ladybirdcranehire.co.uk

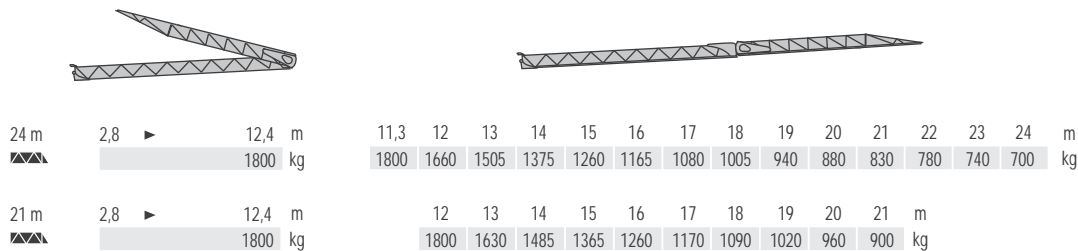
w: www.ladybirdcranehire.co.uk



24m Self-Erecting Crane



Load Diagrams



Specifications and data not binding. Subject to modification without notice



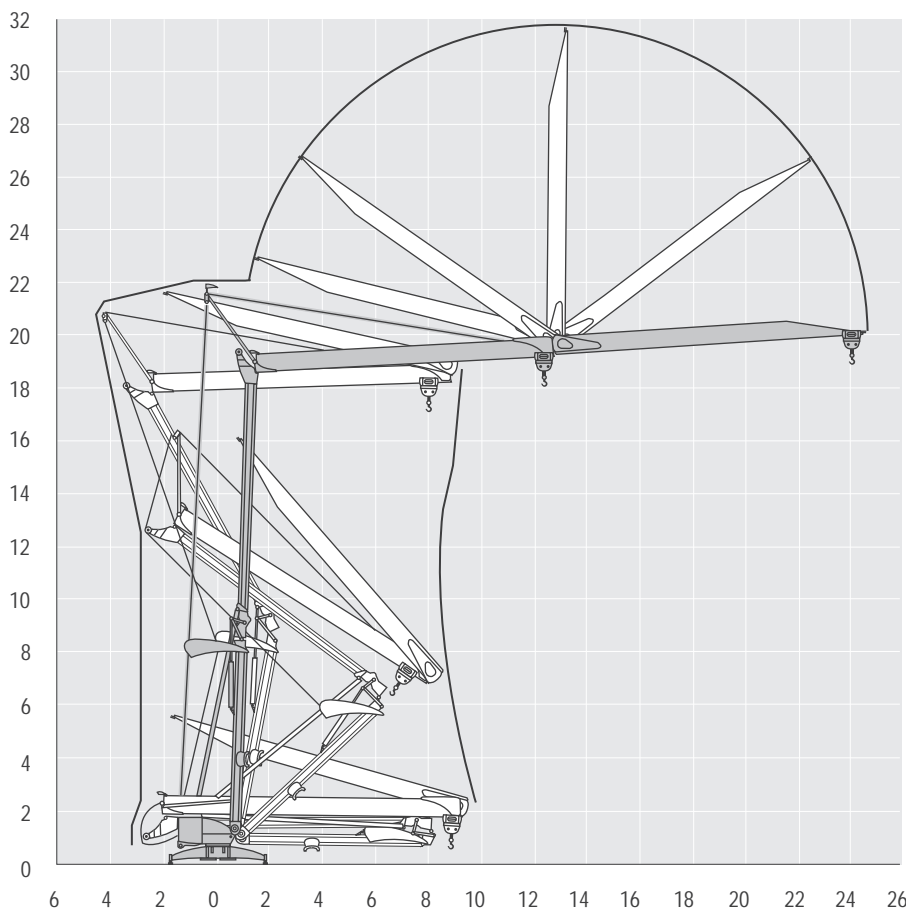
Mechanisms



Hoisting
Trolleying
Slewing
50 Hz Single phase

				Trolleying		Slewing		ch - PS	kw
				↑ 3,5	↓ 3,5	↑ 11	↓ 16	hp	
Hoisting	8 LVF 9 Optima	230 V 32 A	2	m/min	1800	1800	700	5,2	3,8
		400 V	3	m/min	↓ 3,5	↓ 16	↓ 36	7,5	5,5
Trolleying	1 DVF 4	-	m/min	14 - 28			1,5	1,1	
Slewing	RVF 20	-	tr/min U/min rpm	0 → 1			1,5	1,1	
CEI 38		IEC 38		kVA				2000/14	
230 V(+6% -10%) 50 Hz		400 V(+6% -10%) 50 Hz		230 V 20 A : 4,6 kVA		230 V 32 A : 7,4 kVA		400 V : 11 kVA	

Erection



Specifications and data not binding. Subject to modification without notice