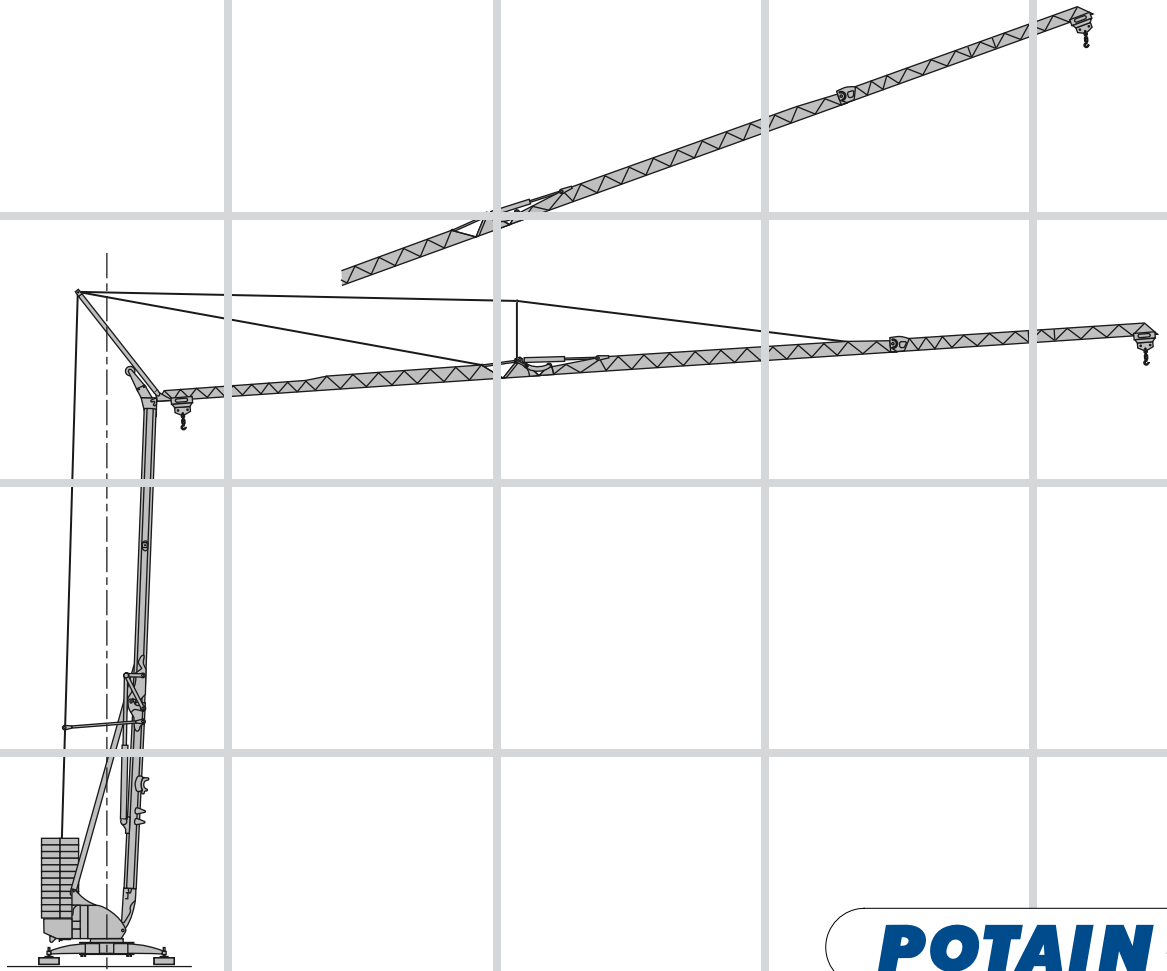


LADYBIRD CRANE HIRE

IGO 50

SUPPLIERS OF PEDESTRIAN OPERATED SELF-ERECTING TOWER & CITY CRANES

Crane Specifications



POTAIN 

LADYBIRD CRANE HIRE

LADYBIRD BARN,
OLD BURCOT LANE,
BROMSGROVE,
WORCESTERSHIRE
B60 1PH

t: 01527 889 889

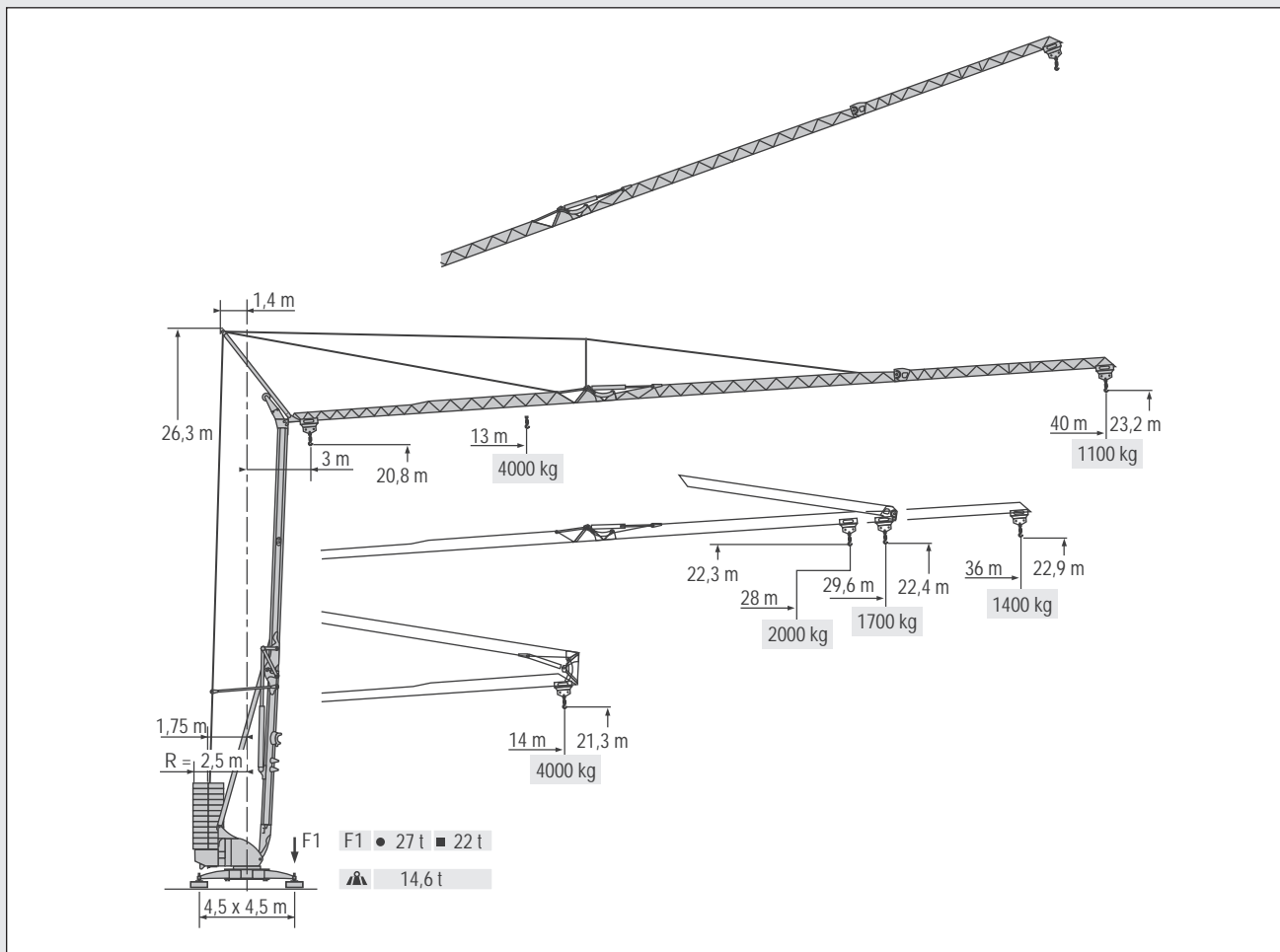
f: 01527 889 879

e: info@ladybirdcranehire.co.uk

w: www.ladybirdcranehire.co.uk



40m Self-Erecting Crane



Load Diagrams

Configuration	Height (m)	Horizontal Distance (m)	Load (kg)
1	40	14	4000
1	40	13	4000
1	40	14	3665
1	40	15	3365
1	40	16	3105
1	40	17	2885
1	40	18	2690
1	40	19	2520
1	40	20	2365
1	40	21	2000
1	40	22	1800
1	40	23	1640
1	40	24	1440
1	40	25	1330
1	40	26	1185
1	40	27	1105
1	40	28	1000
1	40	29	2000
1	40	30	1920
1	40	31	1755
1	40	32	1550
1	40	33	1435
1	40	34	1290
1	40	35	1210
1	40	36	1100
2	36	14	4000
2	36	13	4000
2	36	14	3770
2	36	15	3485
2	36	16	3235
2	36	17	3020
2	36	18	2830
2	36	19	2660
2	36	20	2370
2	36	21	2135
2	36	22	2000
2	36	23	1850
2	36	24	1630
2	36	25	1505
2	36	26	1345
2	36	27	1300
2	36	28	2000
2	36	29	1960
2	36	30	1735
2	36	31	1610
2	36	32	1450
2	36	33	1400
3	40	14	4000
3	40	13.9	4000
3	40	15	3655
3	40	16	3375
3	40	17	3135
3	40	18	2925
3	40	19	2740
3	40	20	2575
3	40	21	2295
3	40	22	2000
3	40	23	1965
3	40	24	1790
3	40	25	1600
3	40	26	2000
3	40	27	1895
3	40	28	1700
4	36	14	4000
4	36	15.7	4000
4	36	17	3635
4	36	18	3395
4	36	19	3180
4	36	20	2990
4	36	21	2670
4	36	22	2530
4	36	23	2290
4	36	24	2190
4	36	25	2090
4	36	26	2000

Specifications and data not binding. Subject to modification without notice



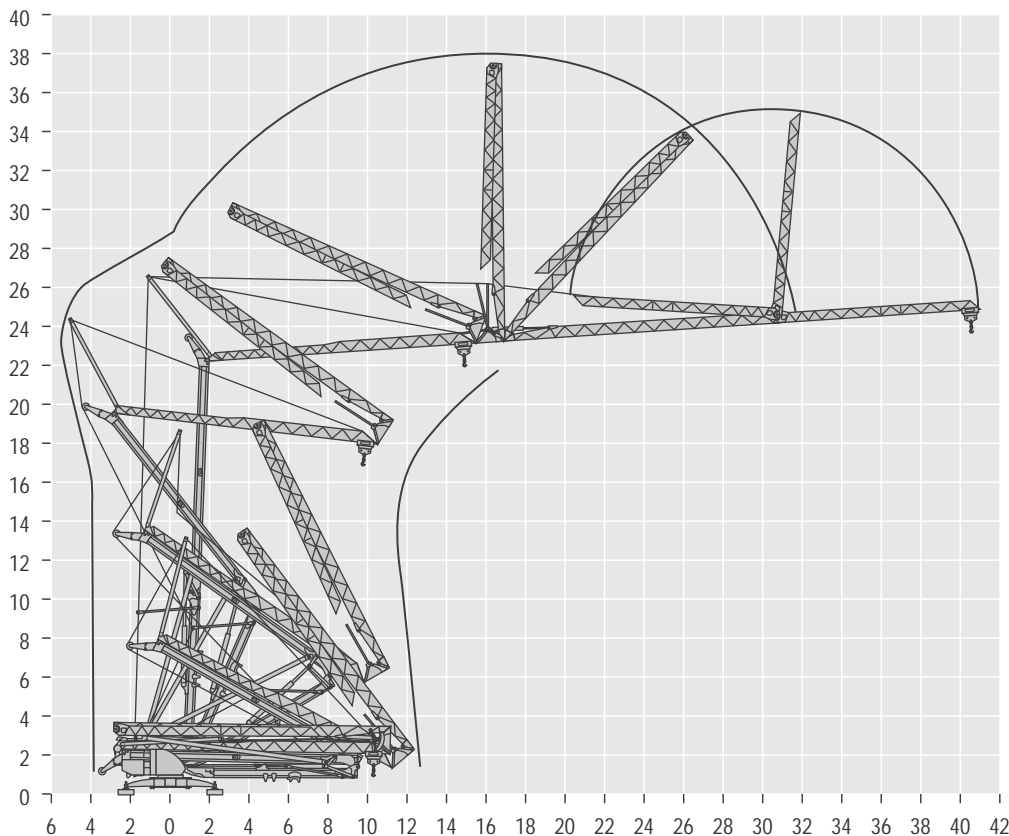
Mechanisms



Hoisting
Trolleying
Slewing

													ch - PS hp	kW			
▲ ▼	15 LVF 10 Optima	m/min	3,6	18	30	49	66						15	11			
		kg	2000	2000	2000	1100	500										
◀ ▶	3 DVF5	m/min	3,6	18	30	54	66	1,8	8,9	15	27	33	3	2,2			
		kg	2000	2000	2000	1000	500	4000	4000	4000	2000	1000					
⦿	RVF+ 51	tr/min U/min rpm	19 - 41									5,5	4				
		CEI 38	IEC 38		kVA					2000/14							
			400 V (+6% -10%) 50 Hz					15 LVF 10 : 22 kVA									

Erection



Specifications and data not binding. Subject to modification without notice